

INSTALLATION GUIDE

MFR-8SDI
MFR-8SDO
MFR-8AAI
MFR-8AAO
MFR-8AESI
MFR-8AESO
MFR-16MV

3rd Edition

Upon Receipt

Unpacking

MFR-8SDI/8SDO/8AAI/8AAO/8AESI/8AESO and MFR-16MV cards and their accessories are fully inspected and adjusted prior to shipment. Check your received items against the packing lists below. Check to ensure no damage has occurred during shipment. If damage has occurred, or items are missing, inform your supplier immediately.

◆ **Packing List**

ITEM	QTY	REMARKS
MFR-8SDI MFR-8SDO MFR-8AAI MFR-8AAO MFR-8AESI MFR-8AESO MFR-16MV	1	
Label	1	
Installation Guide	1	This guide book

Before Starting

MFR-8SDI/8AAI/8AESI are input cards for MFR-3000 units.

MFR-8SDO/8AAO/8AESO and MFR-16MV are output cards for MFR-3000 units.

◆ Available Slots and Number for MFR-3000 Input / Output Cards

Slot	Slot number	Installable cards	Installable number of cards
Input slot	No.01-08 (INPUT1-8)	MFR-8SDI/8AAI/8AESI	Up to 8 cards
Output slot	No.09-16 (OUTPUT1-8)	MFR-8SDO/8AAO/8AESO MFR-16MV	Up to 8 cards Up to 4 cards *

* Installable into slots No. **09-10, 11-12, 13-14, and 15-16.**

◆ Matrix Size

The matrix size of the router varies depending on the number of installed cards as shown below. (64 x 64 to 8 x 8)

		MFR-8SDO (number of cards)							
		8	7	6	5	4	3	2	1
MFR-8SDI (number of cards)	8	64 x 64	64 x 56	64 x 48	64 x 40	64 x 32	64 x 24	64 x 16	64 x 8
	7	56 x 64	56 x 56	56 x 48	56 x 40	56 x 32	56 x 24	56 x 16	56 x 8
	6	48 x 64	48 x 56	48 x 48	48 x 40	48 x 32	48 x 24	48 x 16	48 x 8
	5	40 x 64	40 x 56	40 x 48	40 x 40	40 x 32	40 x 24	40 x 16	40 x 8
	4	32 x 64	32 x 56	32 x 48	32 x 40	32 x 32	32 x 24	32 x 16	32 x 8
	3	24 x 64	24 x 56	24 x 48	24 x 40	24 x 32	24 x 24	24 x 16	24 x 8
	2	16 x 64	16 x 56	16 x 48	16 x 40	16 x 32	16 x 24	16 x 16	16 x 8
	1	8 x 64	8 x 56	8 x 48	8 x 40	8 x 32	8 x 24	8 x 16	8 x 8

One MFR-16MV produces 16 outputs per card. (Requires 2 slots.) 2 systems of multi-viewer output are available per card.

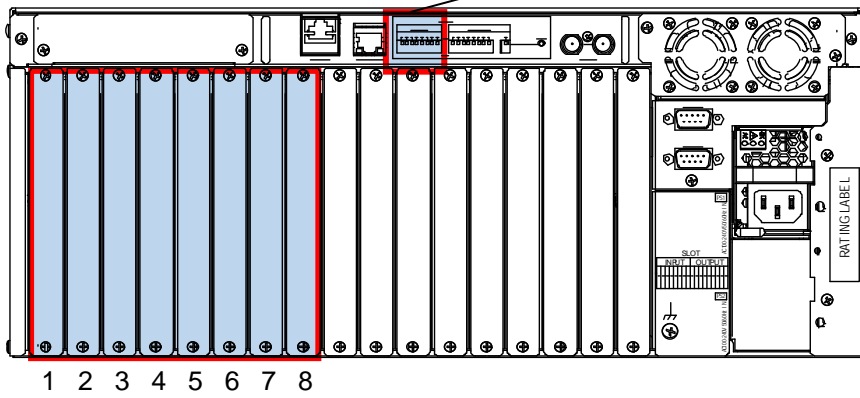
◆ AUDIO Signal Routing

Matrix size varies depending on the number of installed MFR-8AAI, MFR-8AAO, MFR-8AESI and MFR-8AESO cards as shown below. (1 stereo pair = 2 channels)

		MFR-8AAO or MFR-8AESO (number of cards)							
		8	7	6	5	4	3	2	1
MFR-8AAI or MFR-8AESI (number of cards)	8	64 x 64	64 x 56	64 x 48	64 x 40	64 x 32	64 x 24	64 x 16	64 x 8
	7	56 x 64	56 x 56	56 x 48	56 x 40	56 x 32	56 x 24	56 x 16	56 x 8
	6	48 x 64	48 x 56	48 x 48	48 x 40	48 x 32	48 x 24	48 x 16	48 x 8
	5	40 x 64	40 x 56	40 x 48	40 x 40	40 x 32	40 x 24	40 x 16	40 x 8
	4	32 x 64	32 x 56	32 x 48	32 x 40	32 x 32	32 x 24	32 x 16	32 x 8
	3	24 x 64	24 x 56	24 x 48	24 x 40	24 x 32	24 x 24	24 x 16	24 x 8
	2	16 x 64	16 x 56	16 x 48	16 x 40	16 x 32	16 x 24	16 x 16	16 x 8
	1	8 x 64	8 x 56	8 x 48	8 x 40	8 x 32	8 x 24	8 x 16	8 x 8

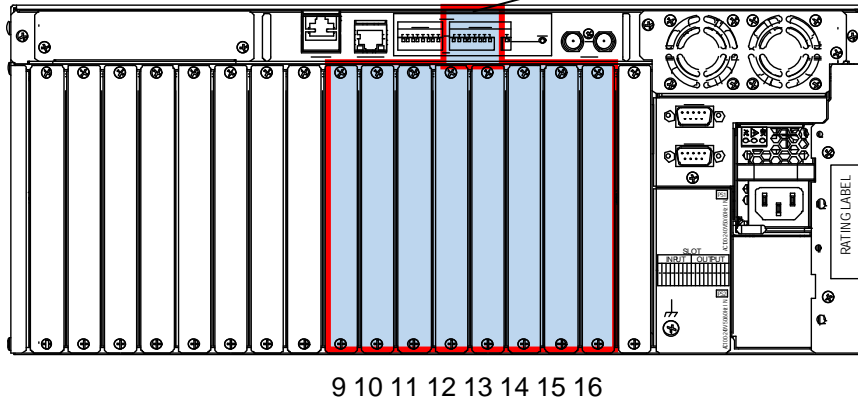
◆ Input Slots (No. 01-08)

Input slot power switches




◆ Output Slots (No. 09~16)

Output slot power switches



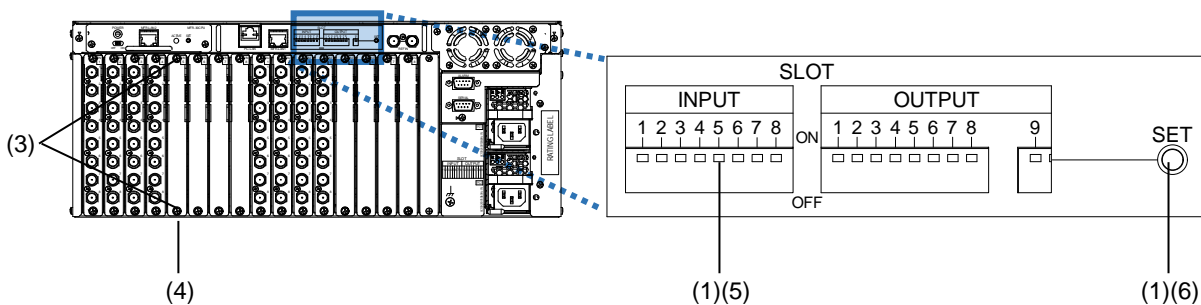
1. Installing the Input / Output Cards

Before starting the installation, save the MFR-3000 system settings. See Sec. 9 "Saving / Loading All Page Settings (All Files)" in the MFR-3000 Web-based Control Operation Manual for details.

 CAUTION	<p>Installation should only be performed by qualified technical person. To protect cards from electrostatic damage, do not touch the components on the cards.</p> <p>Although the Input / Output Cards can be installed while the power of the MFR-3000 is turned on, it is recommended to turn off the power and disconnect all unit power cords before an installation is performed.</p>
---	--

The procedure below shows how to install an input card (**MFR-8SDI**) into **Slot 5** of your MFR-3000 as an example.

(1) On the MFR-3000 rear panel, set **INPUT Dipswitch 5** to **DOWN** position as shown below. *



- (2) Hold down the **SET** switch for **1 sec. or more** to turn Off the Slot 5 power.
- (3) Remove the Slot 5 blank panel by removing the top and bottom screws. (If you are replacing the card, remove the installed card.)
- (4) Align the guide rails precisely on the top and bottom of the card, then gently insert the card into the slot. Tighten the supplied two screws on the top and bottom edges to secure the card to the chassis.
- (5) Put a supplied label on the card. Use the label matched to the slot number (5 in this example).
- (6) Set **INPUT Dipswitch 5** to **UP** position. *
- (7) Hold down the **SET** switch for **1 sec. or more** to turn On the Slot 5 power.

*When installing an MFR-16MV, the two dipswitches of the two MFR-16MV slots need to be set in the DOWN position (1) then UP position (6). The slot power supply can also be turned ON/OFF using "Web based control: **Slot Status** page."

The installation is now complete.

2. Verifying the Installation

Follow the steps below to verify that the Input / Output card is properly installed and perform the card setup in the menu.

- (1) Launch a browser (e.g. Internet Explorer) and access the PC-LAN port address "http://192.168.1.12".



- (2) After accessing the address, a username and a password will be requested. Enter the following username and password.

Username: user

Password: password (default)



IMPORTANT

The above address, username, and password are default settings. If settings have been changed, enter the new address, username and password.

- (3) Open the "Web-based Control: **Slot Status** page" and verify that the card is properly installed. Perform the card setup in the page, if necessary.

Refer to the above pages in the MFR-3000 Web-based Control Operation Manual for more details.



FOR-A COMPANY LIMITED

Head Office 3-8-1 Ebisu, Shibuya-ku, Tokyo 150-0013, Japan
Overseas Division Tel: +81(0)3 3446 3936 Fax: +81(0)3 3446 1470
Japan Branch Offices Osaka/Okinawa/Fukuoka/Hiroshima/Nagoya/Sendai/Sapporo
R&D/Production Sakura Center/Sapporo Center

FOR-A Corporation of America

11155 Knott Ave., Suite G&H, Cypress, CA 90630, USA.
Tel: +1 714 894 3311 Fax: +1 714 894 5399

FOR-A Corporation of America East Coast Office

2 Executive Drive, Suite 670, Fort Lee Executive Park, Fort Lee, NJ 07024, USA
Tel: +1 201 944 1120 Fax: +1 201 944 1132

FOR-A Corporation of America Distribution & Service Center

2400 N.E. Waldo Road, Gainesville, FL 32609, USA
Tel: +1 352 371 1505 Fax: +1 352 378 5320

FOR-A Corporation of America Miami Office

8333 North West 53rd Street Suite 427 Doral, FL 33166, USA
Tel: +1 305 931 1700 Fax: +1 714 894 5399

FOR-A Corporation of Canada

1131A, Leslie Street Suite 209, Toronto, Ontario M3C 2J6, Canada
Tel: +1 416 977 0343 Fax: +1 416 977 0657

FOR-A Europe S.r.l.

Via Volturno 37, 20861 Brugherio MB, Italy
Tel: +39 039 91 64 811 Fax: +39 039 878 140

FOR A UK Limited

Trident Court, 1 Oakcroft Road, Chessington, KT9 1BD, UK
Tel: +44 (0)20 3044 2935 Fax: +44(0)20 3044 2936

FOR-A Italia S.r.l.

Via Volturno 37, 20861 Brugherio MB, Italy
Tel: +39 039 881 086/103 Fax: +39 039 878 140

FOR-A Corporation of Korea

1007, 57-5, Yangsan-ro, Yeongdeungpo-gu, Seoul 150-103, Korea
Tel: +82 (0)2 2637 0761 Fax: +82 (0)2 2637 0760

FOR-A China Limited

708B Huateng Building, No. 302, 3 District, Jinsong, Chaoyang, Beijing 100021, China
Tel: +86 (0)10 8721 6023 Fax: +86 (0)10 8721 6033

FOR-A Middle East-Africa Office

Dubai Media City, Aurora Tower, Office 1407, P.O. Box 502688, Dubai, UAE
Tel: +971 (0)4 551 5830 Fax: +971 (0)4 551 5832

Agiv (India) Private Limited (FOR-A India)

2nd Floor, Valecha Chambers, Link Road, Andheri(W), Mumbai 400053
Tel: +91-22-26733623 Fax: +91-22-26393415