

MFR-8000

Quick Setup Guide

Preparation

The MFR standard system is composed of the following three hardware components.

Main Unit (hereafter MU)	MFR-8000
Remote Control Unit (hereafter RU)	MFR-39RU/40RU/18RU/16RU/16RUD/16RUW/32RUW/64RUW/16RUTA/39RUA/18RUA
Computer (Web Browser)	The MFR system setting and operation via a web browser

The MFR system is connected via LAN. Network settings for MFR units are properly set prior to shipment. Operation can be performed immediately upon completing the following network settings and connections. Prepare the following items in the table for the system in advance.

Items to prepare

Computer	For Web-based Control. A LAN port is required. Refer to section 2-1. "System Requirements" in the MFR Series Web-based Control Operation Manual" for more details.	
LAN cables (Cat5e or higher)	For MU and PC direct connection	Single cross-over cable
	For MU and PC connection via a hub	Two cross or straight cables (*2)
* The supplied straight LAN cable is also available.	For MU and RU direct connection (*1)	Single cross-over cable
	For MU and RU connection via a hub	Two cross or straight cables (*3)

(*1) Not available if redundant CPU is configured. (*2) Additional cable required if redundant CPU is configured.
(*3) Additional cable required if redundant CPU is configured.

1. LAN Connection

(1) Set the PC IP address and subnet mask as shown below.

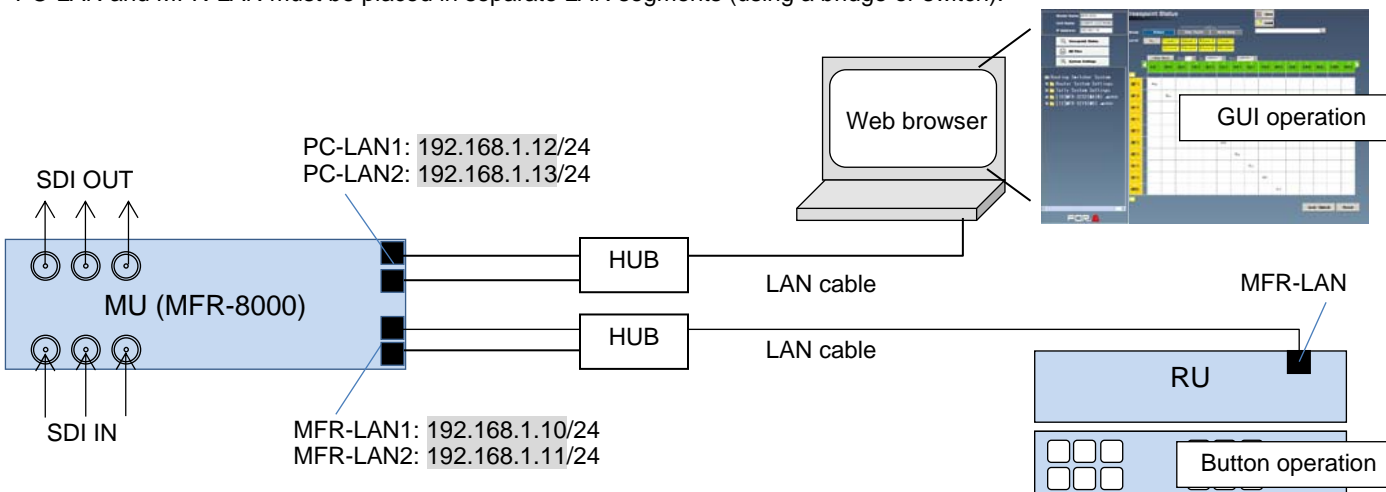
IP address	192.168.1.XXX	XXX must be from 1 to 254 except the following numbers. 10 to 13 (Used for MU) 60 to 62 (Used for MFR-TALM) 70 to 85 (Used for MFR-RULINK)
Subnet mask	255.255.255.0	

(2) Connect the **MFR-LAN** (MFR-LAN1) port on the **MU** rear panel and **MFR-LAN** port on the **RU** rear panel using a LAN cable.

* Connect the **MFR-LAN(CPU1)** and **MFR-LAN(CPU2)** ports to the LAN, respectively, when the redundant CPU is configured.

(3) Connect the **PC-LAN 1** port on the **MU** rear panel and the **PC LAN** port using a prepared LAN cable.

PC-LAN and MFR-LAN must be placed in separate LAN segments (using a bridge or switch).



▶ Refer to section 2-3 "Network Settings" in the "MFR Series Web-based Control Operation Manual" for more details.

2. Power ON

- (1) Connect the power to the MU using the supplied power cord(s).
- (2) Connect the power to the RU using the supplied AC adaptor and cable. Be sure to secure the cable with the supplied cable clip.
- (3) Power on all devices in the system.

3. Open the Web-based Control Screen

- (1) Launch your web browser on the PC, enter the MFR MU address as shown below and connect to the MFR MU.
http://192.168.1.12 (IP address of MU PC-LAN)
- (2) Enter the following user name and password to login to the MFR Web-based Control.
User name: **user**
Password: **password**
- (3) The Web-based Control screen will appear.

4. Display the MU or RU Setting Page

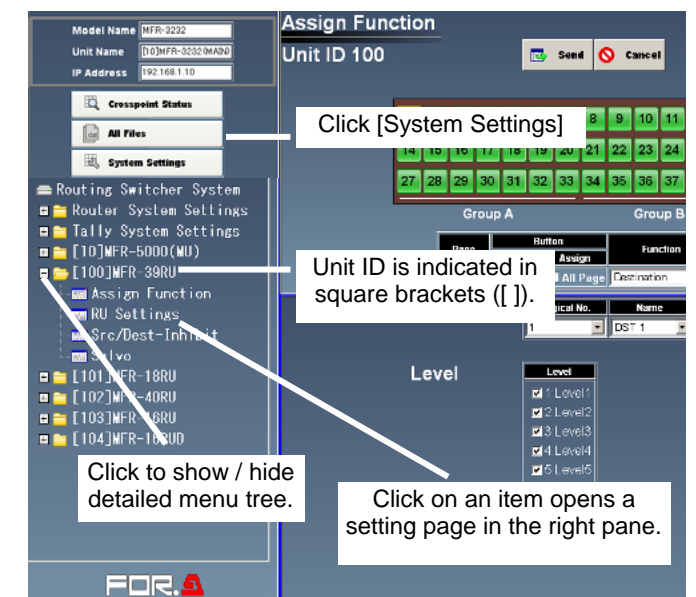
- (1) Press **[System Settings]** in the upper left corner of the screen to display the navigation tree in the **left** pane, in which the MFR components in the system are displayed.

Unit ID:

The current MFR system devices are displayed in the tree such as [100]MFR-39RU, [101]MFR-18RU, etc. as shown at right.
The number displayed in square bracket such as [100] is a **Unit ID**, which also indicates the **fourth octet of IP address**. The IP address of MFR-39RU is "192.168.1.100" in this figure example.

- (2) Clicking on a plus or minus sign in front of a folder icon shows or hides a detailed menu tree.
Clicking an item on detailed menus displays the associated setting page in the right pane.

▶ Refer to section 5 "Main Unit Settings" and section 6 "Remote Control Panel Settings" in the "MFR Web-based Control Operation Manual."



Precautions

- Operate the unit **only** at the specified supply voltage.
- **Ensure** the unit is properly grounded at all times.
- **Ensure** the power cord and connectors are firmly connected.
- **Do not** access circuitry with power applied to the unit.
- Unit **should not** be operated or stored with the cover, panels, and/or casing removed.
- Unit **should not** be operated or stored in a humid, dusty, etc. environment. Doing so could result in fire or electrical shock.
- **Do not** allow fluids, metal fragments, or any other foreign objects to enter the unit. If foreign matter does enter the unit, turn the power off and disconnect the power cord immediately. Remove the material or contact your authorized service representative.
- If you notice any strange smells or noises coming from the unit, turn the power off immediately, disconnect the power cord, then contact your authorized service representative.