

INSTALLATION GUIDE

MFR-SRPS

Redundant Power Supply Unit for
MFR-1616R/3216/3232

1st Edition

Upon Receipt

Unpacking

MFR-SRPS cards and their accessories are fully inspected and adjusted prior to shipment. Check your received items against the packing lists below. Check to ensure no damage has occurred during shipment. If damage has occurred, or items are missing, inform your supplier immediately.

◆ Packing List


ITEM	QTY	REMARKS
MFR-SRPS	1	Redundant Power Supply Unit for MFR-1616R/3216/3232
Power cord	1 set	AC cable and retaining clip
Power switch	1	
Cable A	1	Used to connect the power switch and AC inlet. (Twisted pair, black and white cables)
Cable B	1	Used to connect to the AC inlet. (Green/yellow earth cable)
Cable C	1	Used to connect to the power switch. (Red and violet cables, and black earth cable)
Cable D	1	Used for DC output. (Black and yellow cables, and LED)
Insulation sheet	1	
Double SEMS screw	4	Used to secure the MFR-SRPS.
Binding screw (Washer and tooth lock washer)	2 sets	Used to secure cable B and C ground terminals.
Binding band	2	Used to bind cables C and D.
Installation Guide	1	This Guide Book

Table of Contents

1. Overview	4
2. Installing the MFR-SRCPU	4
2-1. Removing the Top and Front Panels	4
2-2. Removing the Power Switch Mask Plate	5
2-3. Attaching the Power Switch	5
2-4. Mounting the MFR-SRPS	6
2-5. Connecting Cables.....	7
2-5-1. Connecting Cables A and B.....	8
2-5-2. Connecting Cable C to the Power Switch	9
2-5-3. Binding Cables.....	9
2-5-4. Connecting Cable D.....	10
2-5-5. Binding Cables.....	10
2-6. Closing the Front and Top Panels.....	11

1. Overview

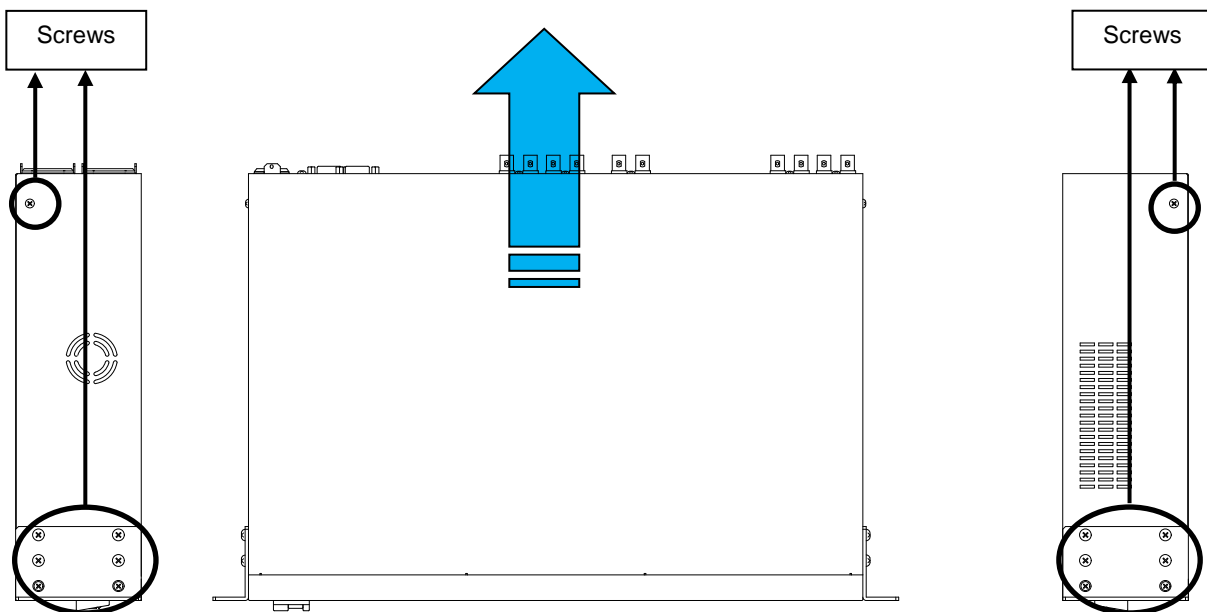
MFR-SRPS is a power supply unit for MFR-1616R/3216/3232 units. An MFR-1616R/3216/3232 has two power supply slots and comes with a power supply unit installed in one slot as the standard configuration. Installing an optional MFR-SRPS allows the unit to keep running in the event that one of the power supply units were to fail.

 <p>CAUTION</p>	<p>Installing this option requires the unit interior to be accessed by opening the panel. Installation should only be performed by qualified technical personnel. The power should be turned OFF and all unit power cords disconnected before an installation is performed.</p>
---	---

2. Installing the MFR-SRCPU

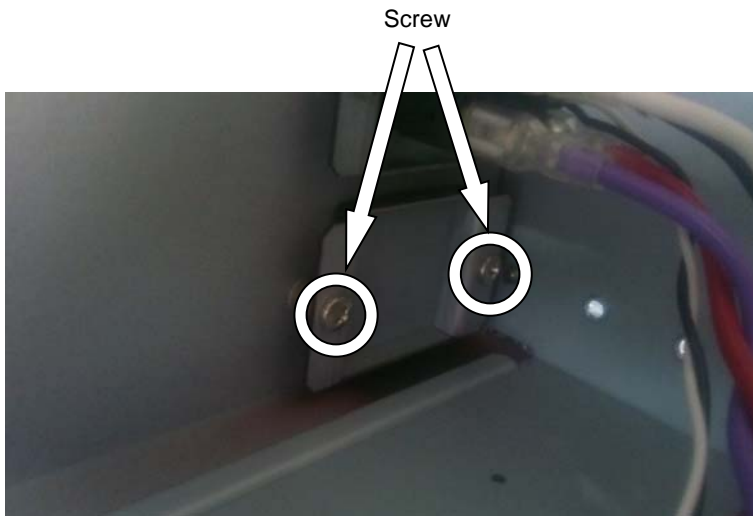
2-1. Removing the Top and Front Panels

- (1) Remove the 14 screws on the left and right sides of the MFR-1616R/3216/3232. (The figure below shows an MFR-1616R.)
- (2) Slowly lift and remove the top panel.
- (3) Remove the front panel.



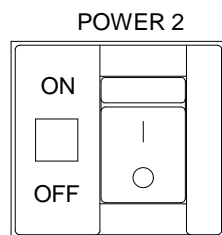
2-2. Removing the Power Switch Mask Plate

- (1) Find the mask plate covering POWER 2 on the back side of the front panel.
- (2) Remove the two (2) screws securing the mask plate and remove the mask plate.



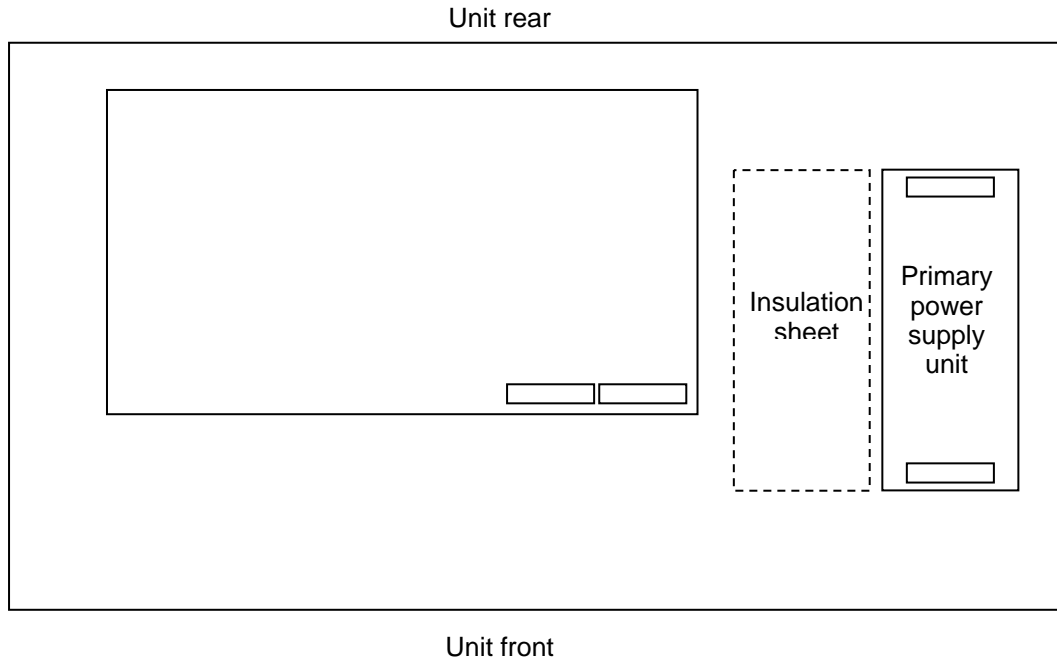
2-3. Attaching the Power Switch

With the two (2) screws removed in the previous section, attach the supplied power switch to where the mask plate was attached, oriented in the same direction as POWER 1.

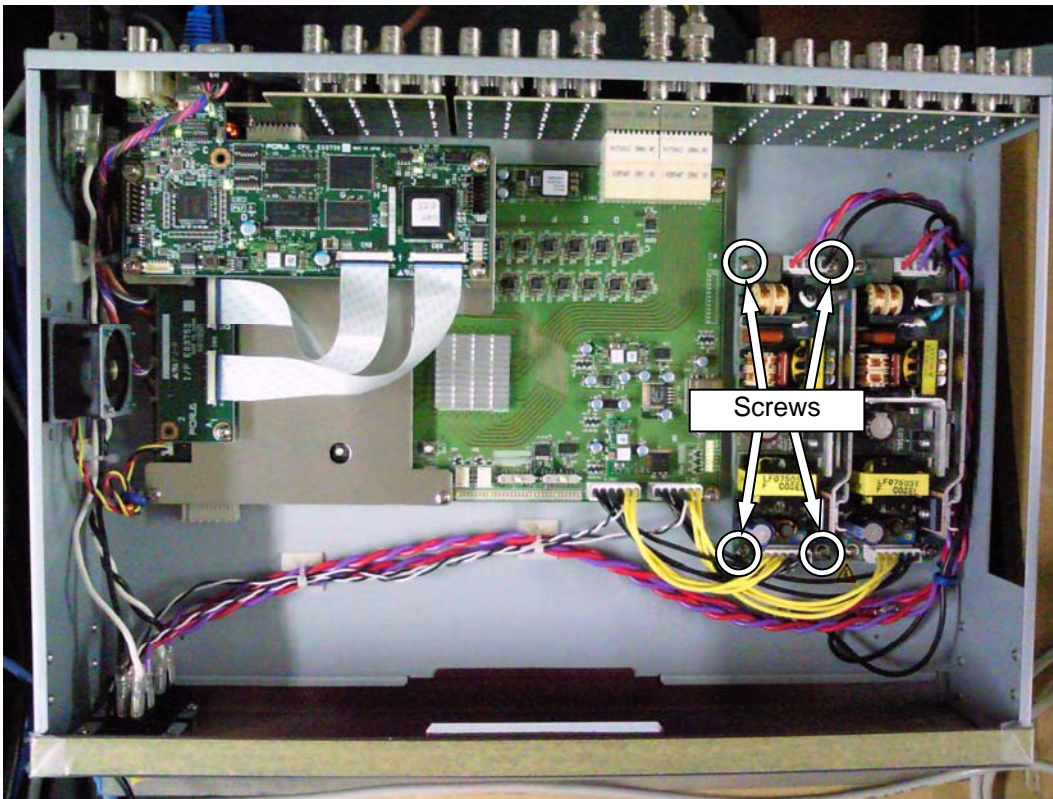


2-4. Mounting the MFR-SRPS

- (1) Take out the MFR-SRPS from the packaging box.
- (2) Place the insulation sheet next to the primary power supply unit as shown in the figure below.

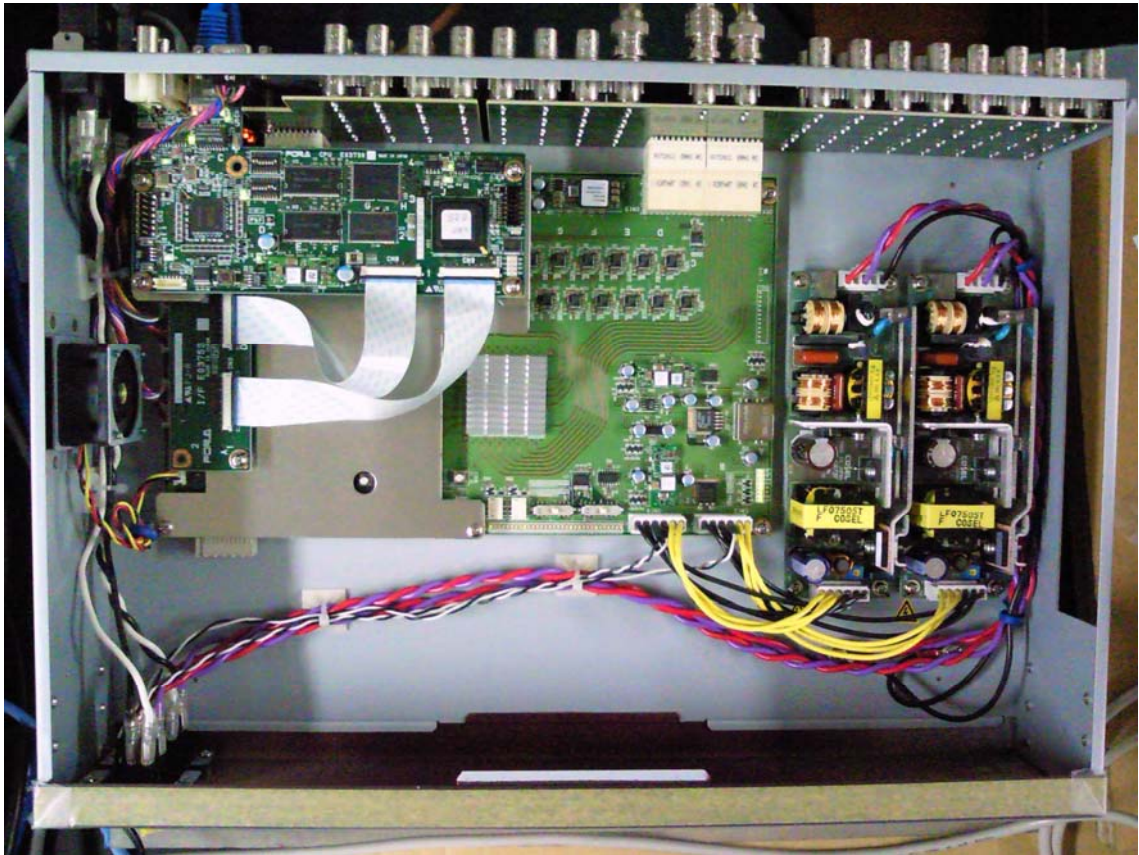


- (3) Mount the power supply unit (MFR-SRPS) on the insulation sheet.
- (4) Secure the power supply unit using the four (4) supplied double SEMS screws.



2-5. Connecting Cables

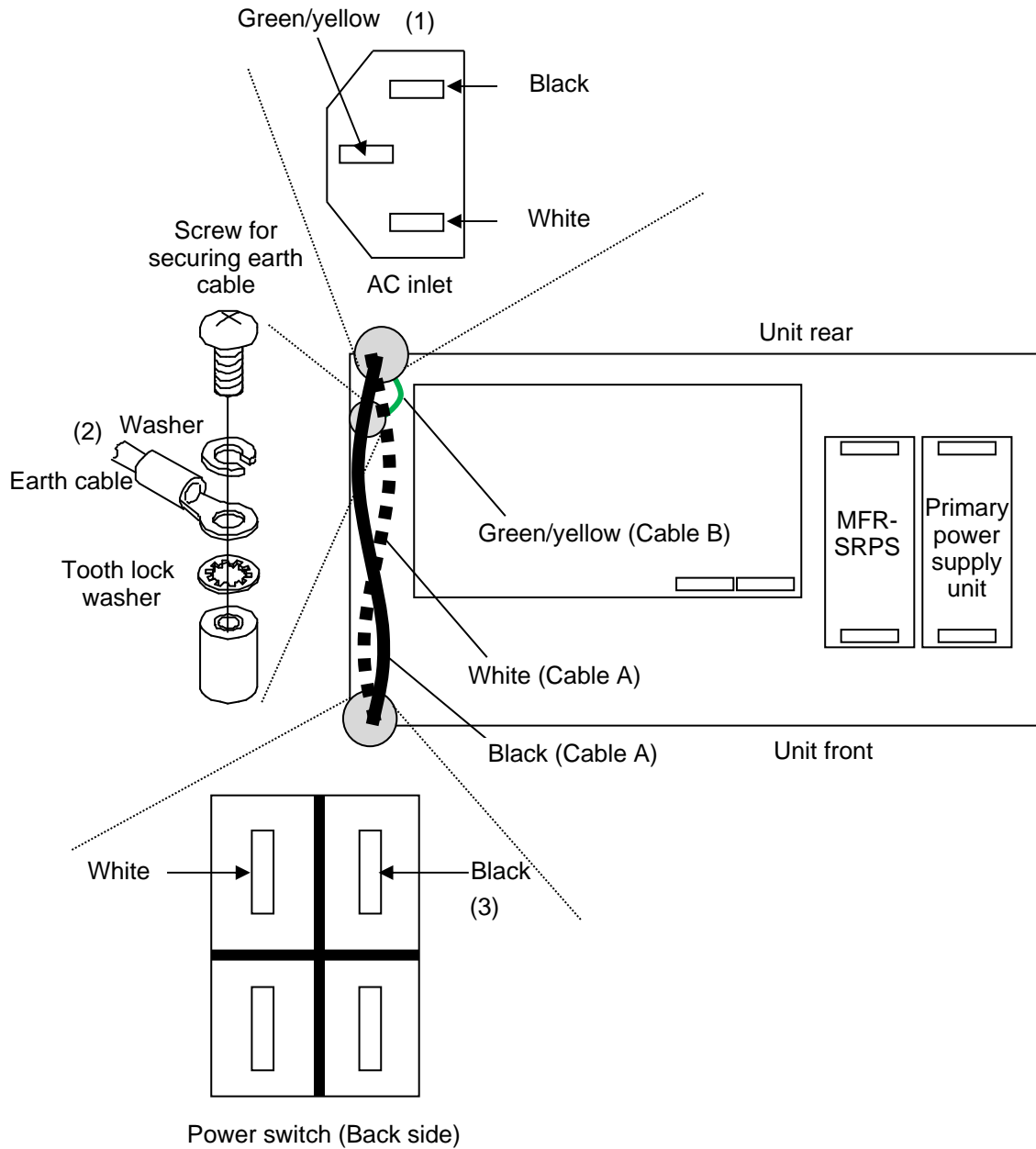
Connect the MFR-SRPS using the supplied cables, A to D. Wiring connections (complete) are shown in the figure below.



Perform the following steps to complete the wiring.

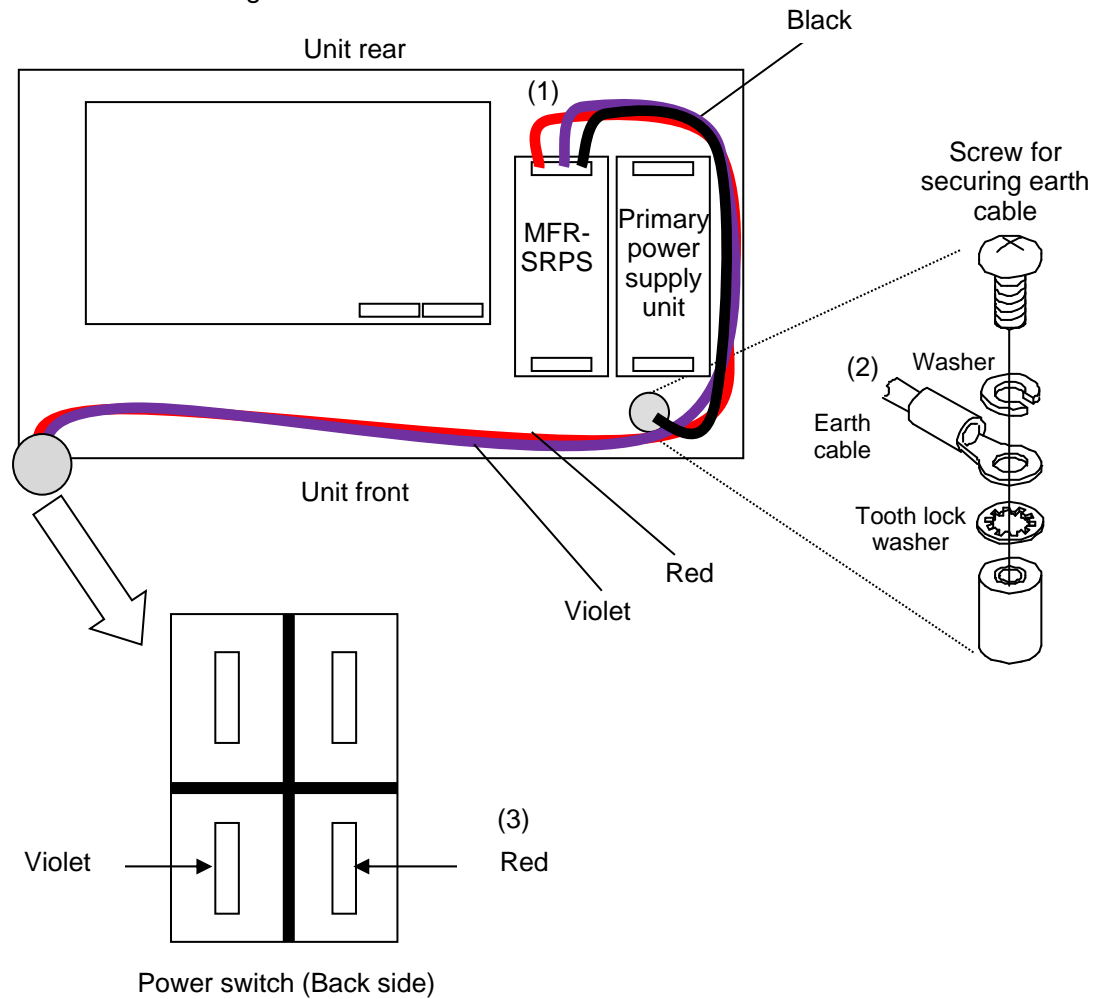
2-5-1. Connecting Cables A and B

- (1) Connect a black cable to the top of the AC inlet, white cable to the bottom, and green/yellow cable to the left.
- (2) Secure the green/yellow earth cable with the supplied binding screw, tooth lock washer and washer.
- (3) Connect the other end of the black cable to the upper right socket of the front panel power switch and that of the white cable to the upper left socket.



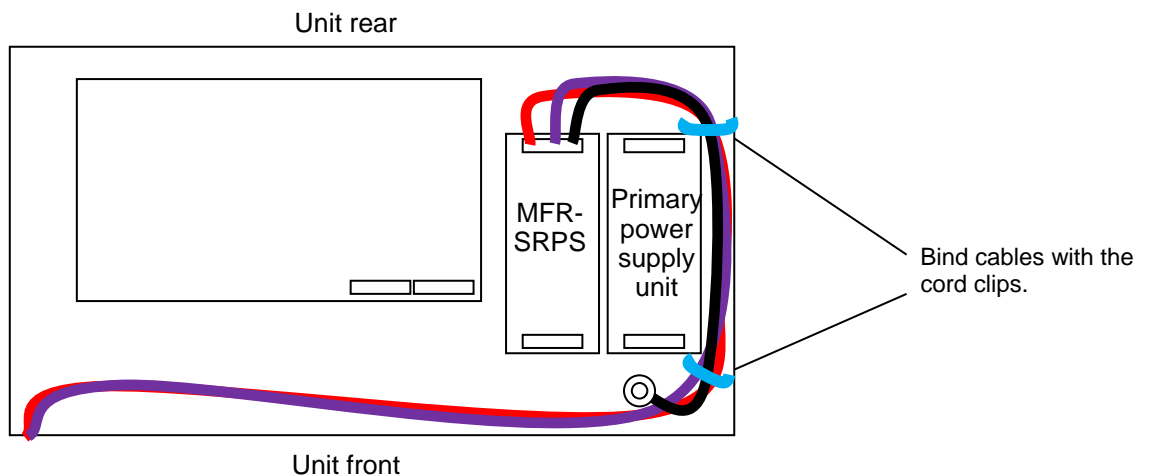
2-5-2. Connecting Cable C to the Power Switch

- (1) Connect the 5-pin white plug of cable C into the socket on the MFR-SRPS.
- (2) Secure cable C's earth cable with the supplied binding screw, tooth lock washer, and washer.
- (3) Connect the violet cable to the lower left socket of the front panel power switch and red cable to the lower right socket.



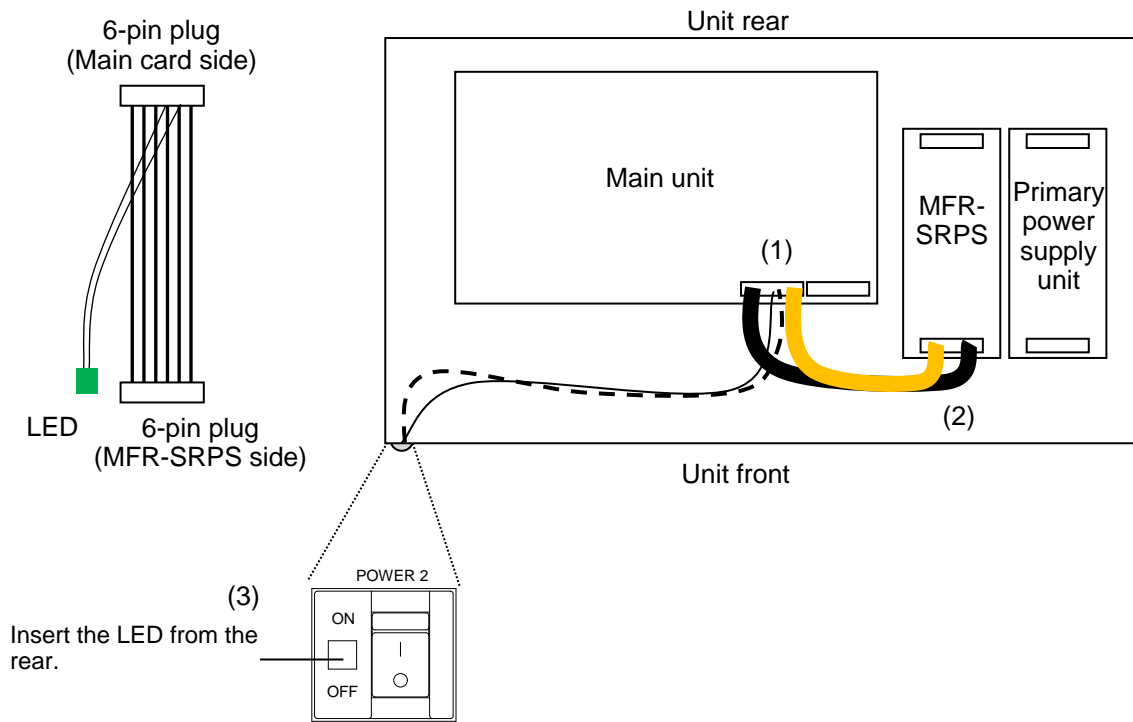
2-5-3. Binding Cables

Open the blue clips indicated in the figure below. Bind the connected cables with the existing cables.



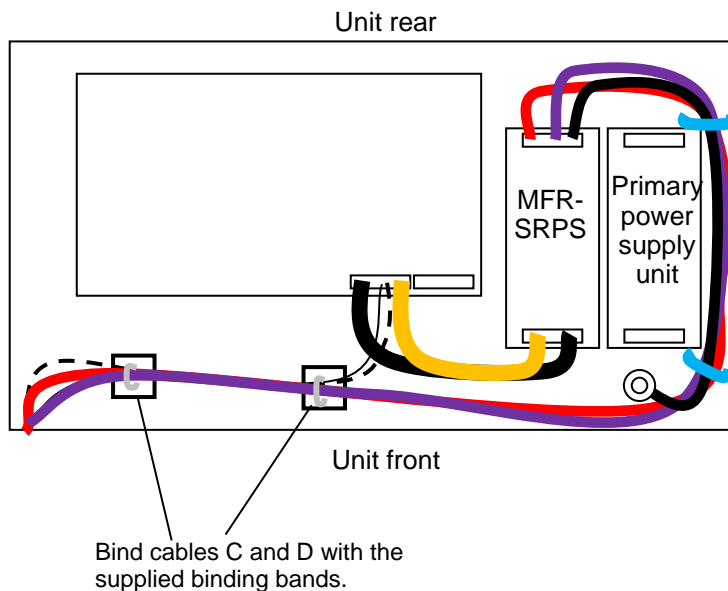
2-5-4. Connecting Cable D

- (1) Connect cable D's main card-side plug into the socket (CN10) on the main card.
- (2) Connect cable C's MFR-SRPS-side plug into the socket on the MFR-SRPS.
- (3) Insert the LED from the back side (rear) of the front panel power switch.



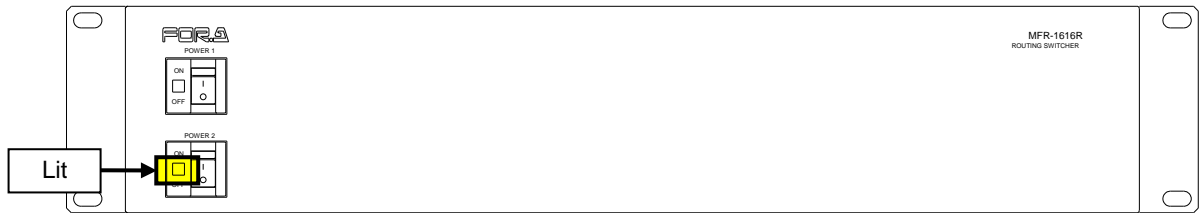
2-5-5. Binding Cables

Bind cables C and D with the supplied binding bands.



2-6. Closing the Front and Top Panels

- (1) Close the front and top panels and tighten the 14 screws on the left and right sides.
- (2) Connect the power cord and turn on the POWER 1 and POWER 2 switches.
- (3) Verify that the POWER 2 LED is lit green. (The figure below shows an MFR-1616R.)



Installation is complete.

Warning

This equipment has been tested and found to comply with the limits for a Class A digital device, pursuant to Part 15 of FCC Rules. These limits are designed to provide reasonable protection against harmful interference when the equipment is operated in a commercial environment. This equipment generates, uses, and can radiate radio frequency energy and, if not installed and used in accordance with the instruction manual, may cause harmful interference to radio communications. Operation of this equipment in a residential area is likely to cause harmful interference, in which case the user will be required to correct the interference at his own expense.



FOR-A COMPANY LIMITED

Head Office 3-8-1 Ebisu, Shibuya-ku, Tokyo 150-0013, Japan
Overseas Division Tel: +81(0)3 3446 3936 Fax: +81(0)3 3446 1470
Japan Branch Offices Osaka/Okinawa/Fukuoka/Hiroshima/Nagoya/Sendai/Sapporo
R&D/Production Sakura Center/Sapporo Center

FOR-A Corporation of America

11155 Knott Ave., Suite G&H, Cypress, CA 90630, USA.
Tel: +1 714 894 3311 Fax: +1 714 894 5399

FOR-A Corporation of America East Coast Office

2 Executive Drive, Suite 670, Fort Lee Executive Park, Fort Lee, NJ 07024, USA
Tel: +1 201 944 1120 Fax: +1 201 944 1132

FOR-A Corporation of America Distribution & Service Center

2400 N.E. Waldo Road, Gainesville, FL 32609, USA
Tel: +1 352 371 1505 Fax: +1 352 378 5320

FOR-A Corporation of America Miami Office

5200 Blue Lagoon Drive, Suite 760, Miami, FL 33126, USA
Tel: +1 305 931 1700 Fax: +1 305 264 7890

FOR-A Corporation of Canada

1131A, Leslie Street Suite 209, Toronto, Ontario M3C 2J6, Canada
Tel: +1 416 977 0343 Fax: +1 416 977 0657

FOR-A Europe S.r.l.

Via Volturmo 37, 20861 Brugherio MB, Italy
Tel: +39 039 879 778 Fax: +39 039 878 140

FOR A UK Limited

Trident Court, 1 Oakcroft Road, Chessington, KT9 1BD, UK
Tel: +44 (0)20 3044 2935 Fax: +44(0)20 3044 2936

FOR-A Italia S.r.l.

Via Volturmo 37, 20861 Brugherio MB, Italy
Tel: +39 039 881 086/103 Fax: +39 039 878 140

FOR-A Corporation of Korea

1007, 57-5, Yangsan-ro, Yeongdeungpo-gu, Seoul 150-103, Korea
Tel: +82 (0)2 2637 0761 Fax: +82 (0)2 2637 0760

FOR-A China Limited

708B Huateng Building, No. 302, 3 District, Jinsong, Chaoyang, Beijing 100021, China
Tel: +86 (0)10 8721 6023 Fax: +86 (0)10 8721 6033

FOR-A Middle East-Africa Office

Dubai Media City, Aurora Tower, Office 1407, P.O. Box 502688, Dubai, UAE
Tel: +971 (0)4 551 5830 Fax: +971 (0)4 551 5832

Agiv (India) Private Limited (FOR-A India)

85, V.N. Purav Marg Sion-Chunabhatti (E) Mumbai - 400 022
Tel: +91 22 2405 1258 Fax: +91 22 2405 0007